

# TECHNICAL DATA SHEET

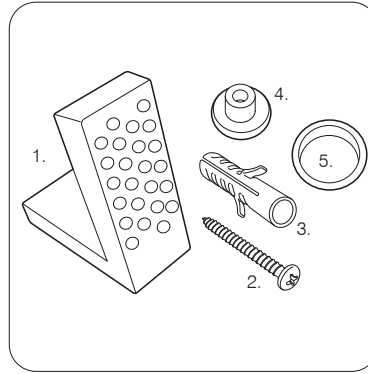
Paradigm Comfort CC Open Back WC Pan - PCHCCPAN2

**ROPER RHODES®**

NO.	Description	Product Code	Fixings included	Gross Weight
1	CC Cistern	DC14035-A	YES	13KG
2	Soft Close Toilet Seat	DC14030	YES	2KG
3	Comfort Open Back CC WC	PCHCCPAN2	YES	32KG



Floor Fixings



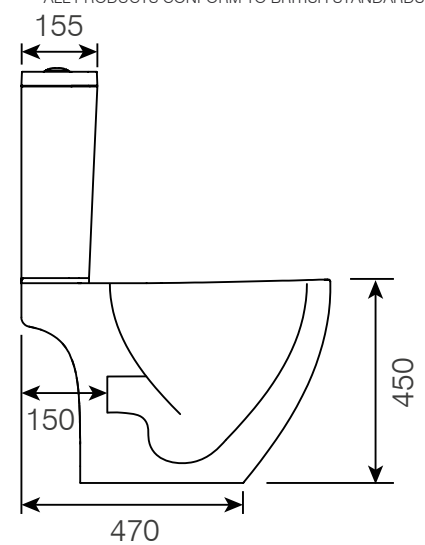
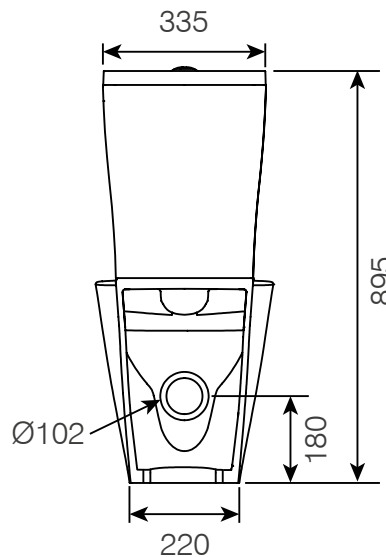
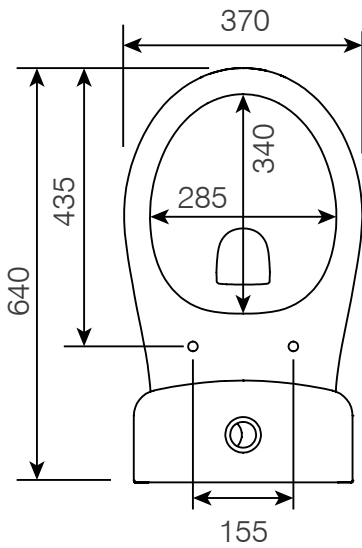
- 1. 2x Nylon Floor Bracket
- 2. 4x Stainless Steel Screws
- 3. 2x Nylon Screw Plugs
- 4. 2x Nylon Screw Collars
- 5. 2x Nylon Collars Caps (Metalic Finish)

Spare Code: SP14211

## DIMENSIONS

DIAGRAMS NOT TO SCALE | ALL DIMENSIONS IN MM TOLERANCE OF ± 5MM

ALL PRODUCTS CONFORM TO BRITISH STANDARDS



\*Dimensions are subject to change, customers are advised to measure actual product before commencing installation.  
 \*\*Fixing point dimensions are for guidance only. The positions of fixings must be checked when product is received.

## FAQs

Q - Where is the inlet valve?  
 A - Bottom Inlet, Back right of the pan

Q - What is the flush volume?  
 A - 5/3L

Q - Are there any other compatible seats?  
 A - Yes, Neutron (8901WSC-SF)

Q - Rim type?  
 A - Rimless

Q - Does the cistern come with an air gap conforming inlet valve?  
 A - Yes

Q - Can this WC be used with a side connection outlet?  
 A - Yes

Key Dimensions Descriptions	Key Dimensions (mm)
Front to Back Footprint	340mm/470mm from wall
Left to Right Footprint	219mm
Bowl Front to Back	340mm
Bowl Left to Right	285mm
Pan Height	450mm
Pan Overall front to Back	635mm
Centre Waste Outlet to Floor	180mm
Width of Void	180mm
Is there a Ceramic Brace Bar	No
Distance from Spigot to back of Pan	150mm