

# TECHNICAL DATA SHEET

Widcombe Moulded Wood Toilet Seat Pewter - WSCTS03-SF

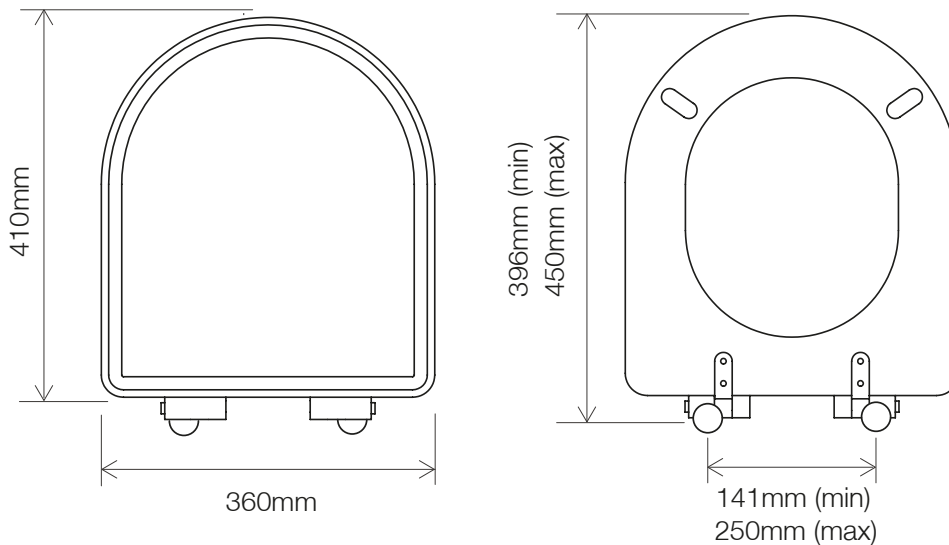
ROPER RHODES®

NO.	Description	Product Code	Fixings included	Gross Weight	Net Weight
1	Widcombe Moulded Wood Toilet Seat	WSCTS03-SF	YES	2KG	N/A



## DIMENSIONS - PRODUCT CODE

DIAGRAMS NOT TO SCALE | ALL DIMENSIONS IN MM | TOLERANCE OF  $\pm 5$ MM  
ALL PRODUCTS CONFORM TO THE BRITISH FIXING STANDARDS



\*Dimensions are subject to change, customers are advised to measure actual product before commencing installation.

\*\*Fixing point dimensions are for guidance only/the positions of wall fixing must be checked when product is received.

## FAQs

Q - What's the maximum test load of the seat?

A - 150kg

Q - What are the fixings made from?

A - Stainless Steel Cover Plates/Screws, Nylon Anchor Plates, Rubber Washers, Rubber Fixing Plugs.

Q - How thick is the seat?

A - 52mm

Q - What material is the seat made from?

A - Moulded Wood