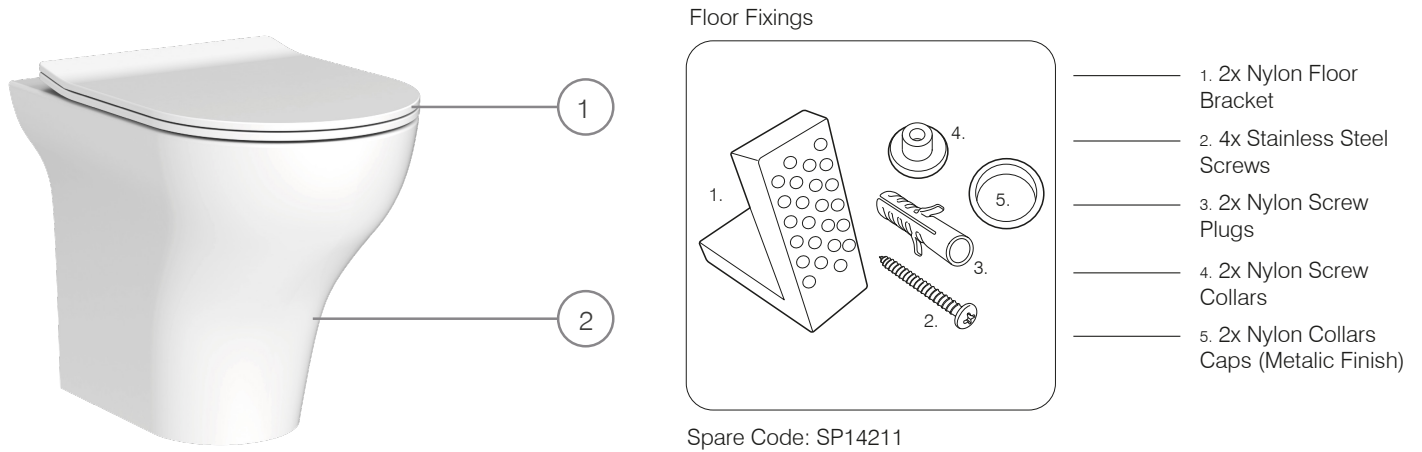


# TECHNICAL DATA SHEET

Note Back To Wall WC Pan - NBWPANMW

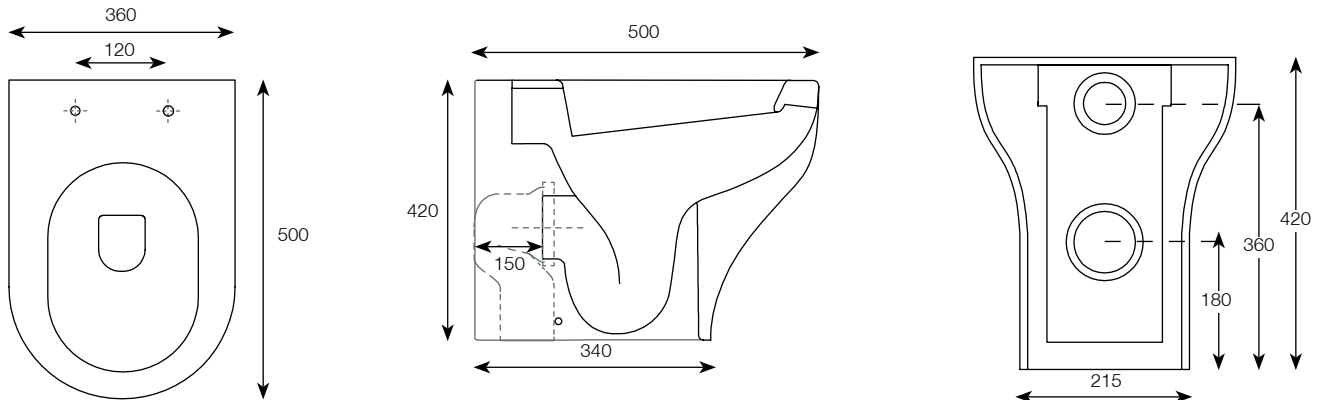
**ROPER RHODES®**

NO.	Description	Product Code	Fixings included	Gross Weight
1	Soft Close Toilet Seat	NSLSCTSMW	YES	3KG
2	Back to Wall WC	NBWPANMW	YES	27KG



## DIMENSIONS

DIAGRAMS NOT TO SCALE | ALL DIMENSIONS IN MM TOLERANCE OF  $\pm 5$ MM  
ALL PRODUCTS CONFORM TO BRITISH STANDARDS



\*Dimensions are subject to change, customers are advised to measure actual product before commencing installation.  
\*\*Fixing point dimensions are for guidance only. The positions of fixings must be checked when product is received.

## FAQs

Q - Are there any other seat options for the seat?  
A - No, only this seat correctly matches the the finish of the WC.

Q - What finish is the gceramic glaze?  
A - Matt White

Q - Which concealed cistern do I use?  
A - Torrent (TR9001) or Cascade (TR9002), depending on whether the water feed is bottom or side access. An In-Wall cistern (TR9009) is available for tiled-in installations.

Key Dimensions Descriptions	Key Dimensions (mm)
Front to Back Footprint	340mm
Left to Right Footprint	215mm
Pan Height	420mm
Pan Overall front to Back	500mm
Centre Flush Inlet to Floor	360mm
Centre Waste Outlet to Floor	180mm
Width of Void	180mm
Is there a Ceramic Brace Bar	Yes, Removable
Distance from Spigot to back of Pan	150mm