

Technical Data Sheet

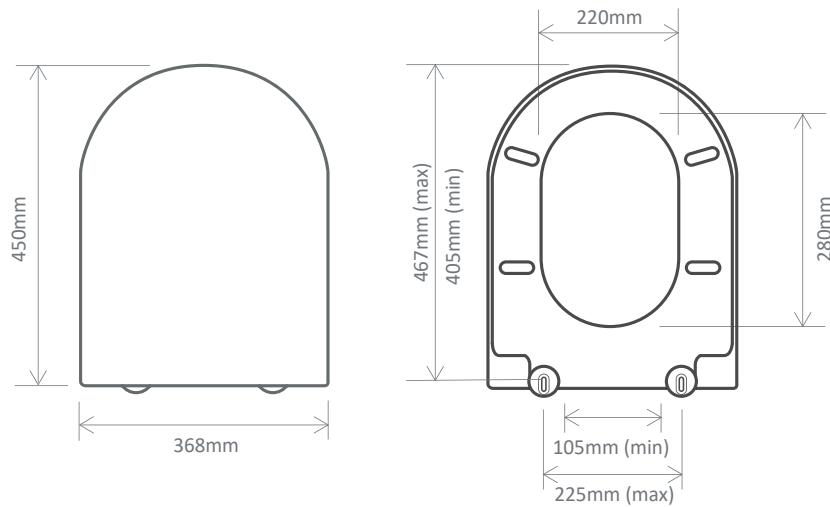
Note Slim Toilet Seat - NSLSCTSMW

ROPER RHODES®

No.	Description	Code	Fixings Included
1	Slim Toilet Seat	NSLSCTSMW	Yes



Dimensions - NSLSCTSMW



*Dimensions are subject to change, customers are advised to measure actual product before commencing installation.
 **Fixing point dimensions are for guidance only/the positions of wall fixing must be checked when product is received.

FAQs

Spare Codes

Q - What's the maximum test load of the seat?
 A - 150kg

Q - What are the fixings made from?
 A - Stainless Steel Cover Plates/Screws with Stainless Steel butterfly clips.

Q - How thick is the seat?
 A - 57mm at rear of seat