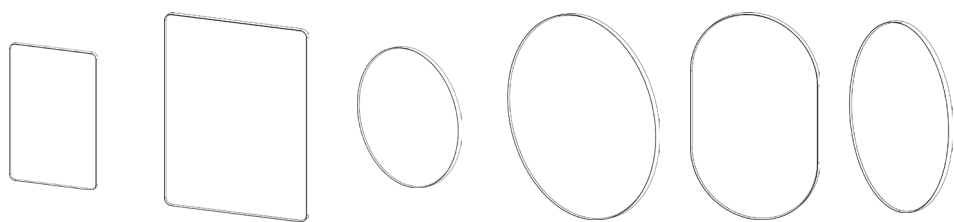


Non-Illuminated Mirror



Box Contents:

Non-Illuminated Mirror – Instructions booklet | 4x wall plugs | 4x screws | Hole Template

Materials

Frame Material: Extruded Aluminium

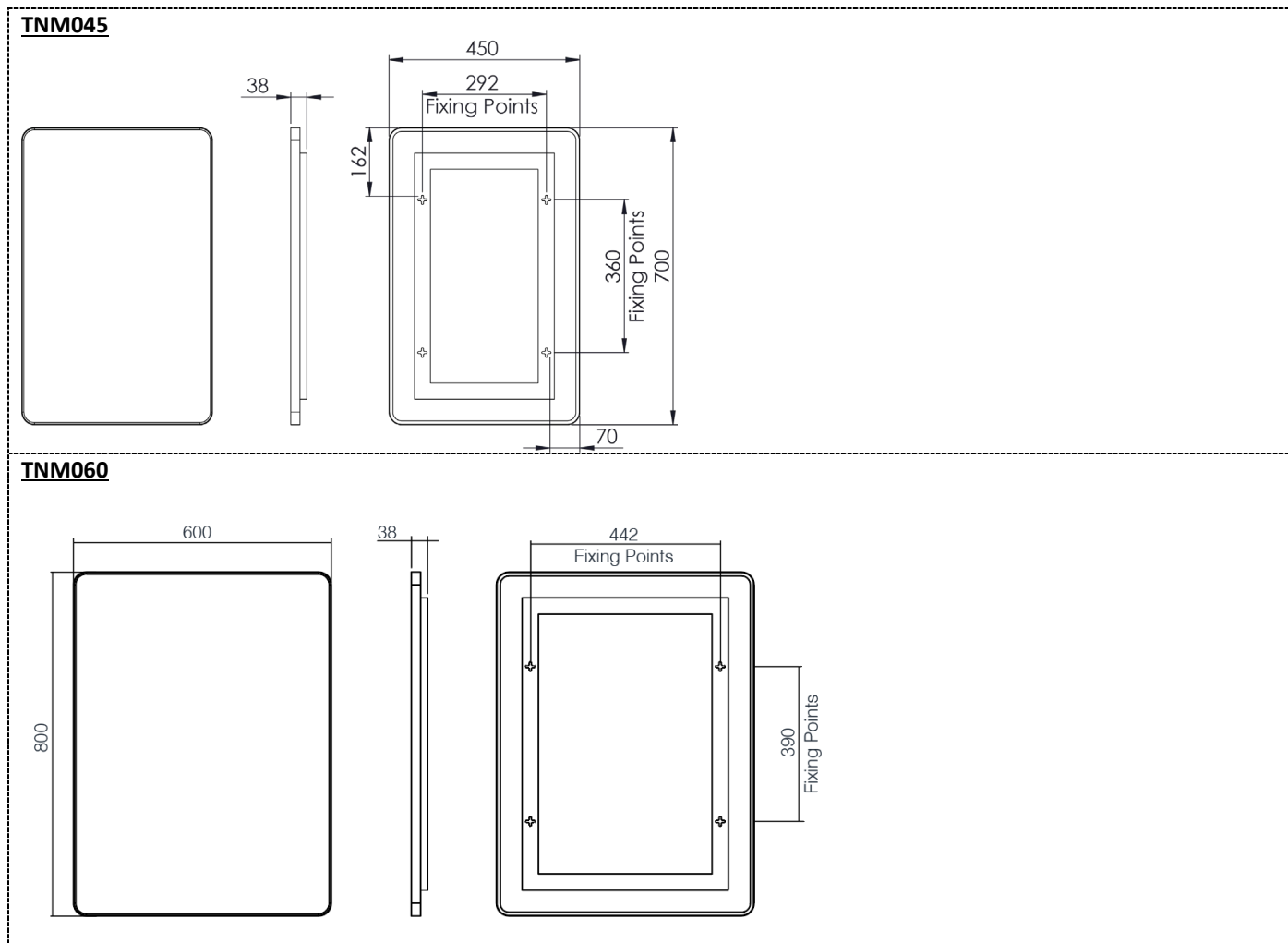
Glass: 5mm PVC Backed

FAQ's:

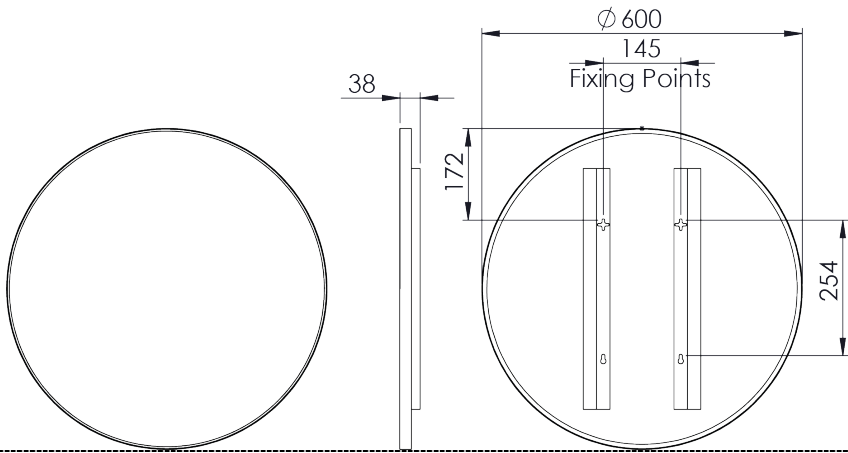
	Units	TNM045	TNM060	TNM50P	TNM80C	TNM60C	TNM50V
Can the mirror be hung portrait & landscape?	-	Portrait & Landscape			Portrait Only		
What is the thickness of the mirror glass?	mm	5					

*Dimensions are subject to change; customers are advised to measure actual product before commencing installation.

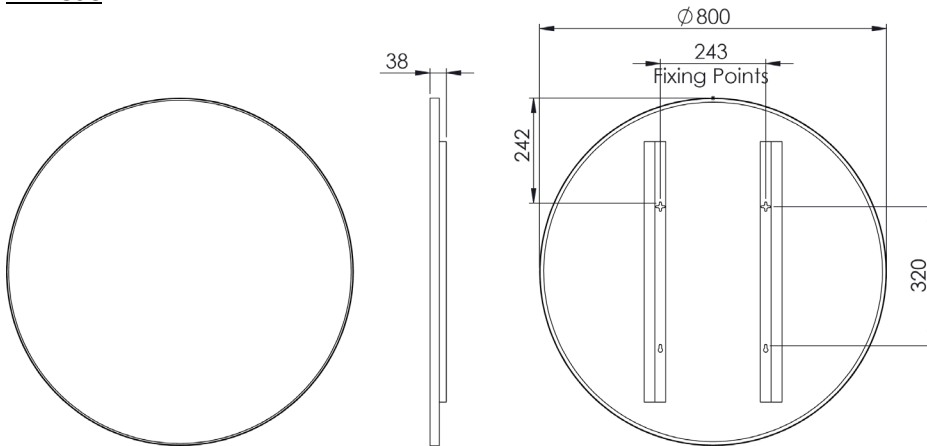
**Fixing point dimensions are for guidance only/the positions of wall fixing must be checked when product is received.



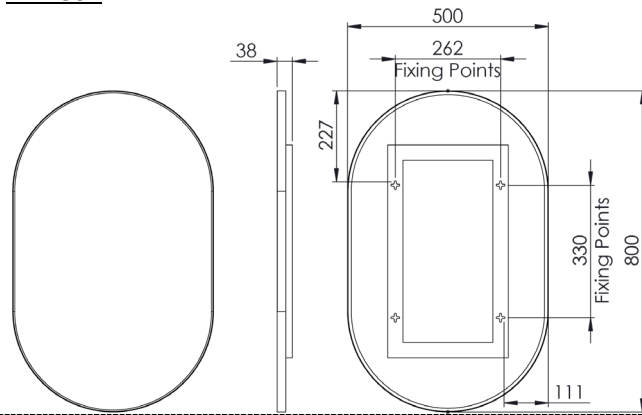
TNM60C



TNM80C



TNM50P



TNM50V

