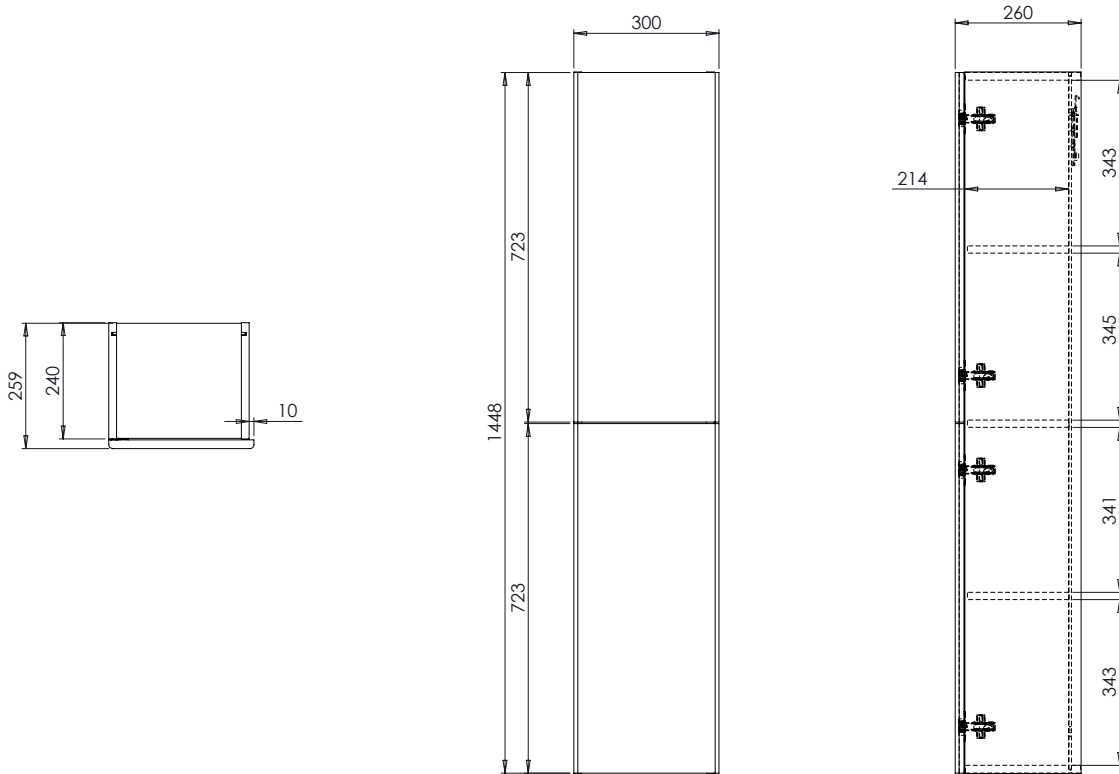


# Technical Data Sheet

# ROPER RHODES®

## DOUBLE DOOR STORAGE COLUMN

What's in the box: 1x RRCOL14.X + Fixings



Diagrams not to scale  
All dimensions in mm  
Tolerance of +/-5mm

### Materials

Carcass: 16mm painted MDF or MFC

Fascia Components: 18mm painted MDF or MFC

\*\*Dimensions are subject to change, customers are advised to measure actual product before commencing installation.

\*\*\*Fixing point dimensions are for guidance only/the positions of wall fixing must be checked when product is received.

### FAQs

Q: Are the hinges soft close?

A: The hinges are both soft close and quick release.

Q: Is the unit reversible?

A: Yes, there are hangers on the top and bottom to reverse the unit. Please see instructions for more detail.

Q: Are the shelves removable?

A: No. All shelves are fixed.

Q: Can the doors be adjusted?

A: The doors of the unit can be adjusted as detailed in the supplied instructions.

Q: How deep is the unit when the doors are fully open?

A: Approx. 555mm including door overhang. (At 90 degree opening)

Q: How do I fix the unit to the wall?

A: There are adjustable wall hangers in the unit and wall plate kit is provided as detailed in the supplied instructions.

Q: Are the handles fitted?

A: No, hole centres need to be drilled, making sure the 10mm door overhang is taken into account.

NOTE: Colours unique to Roper Rhodes - No RAL Code available