

# TECHNICAL DATA SHEET

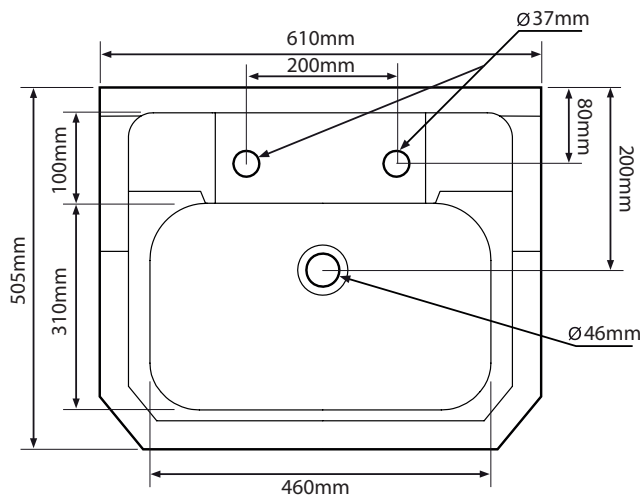
## Vitoria Square 2TH Basin and Pedestal

# TAVISTOCK

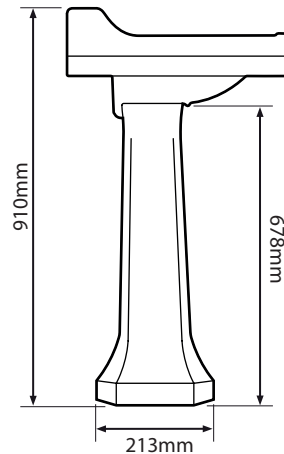
NO.	Description	Product Code	Fixings included	Gross Weight
1	2 Tap Hole Basin	DB850S	YES	20KG
2	Pedestal	PE850S	YES	10KG



### DIMENSIONS



DIAGRAMS NOT TO SCALE | ALL DIMENSIONS IN MM TOLERANCE OF ± 5MM  
ALL PRODUCTS CONFORM TO BRITISH STANDARDS



\*Dimensions are subject to change, customers are advised to measure actual product before commencing installation.

\*\*Fixing point dimensions are for guidance only. The positions of fixings must be checked when product is received.

### FAQs

Q - Position of fixing points?  
A - 280mm Centers

Q - Does this basin have an integrated overflow?  
A - Yes

Q - What is the maximum water depth of the basin?  
A - 110mm up to the overflow.

### Basin

Key Dimensions Descriptions	Key Dimensions (mm)
Internal Basin Depth	150mm
Internal Basin Front to Back	310mm
Internal Basin Left to Right	460mm
Tap Ledge	100mm
Taphole Centre to Waste Centre	155mm
Taphole Centre to Back of Basin	75mm
Waste Centre to Back of Basin	190mm
Width of Basin	610mm
Depth of Basin	505mm

### Pedestal

Key Dimensions Descriptions	Key Dimensions (mm)
Distance at Rear Base from Wall when Fitted MIN/MAX	115mm
Footprint Front to Back Depth	230mm
Footprint Outside Width Front	255mm
Footprint Outside Width Back	280mm
Cavity Width (Pipe Fit)	95mm
Cavity Depth (Pipe Fit)	110mm
Height Excluding Basin	678mm