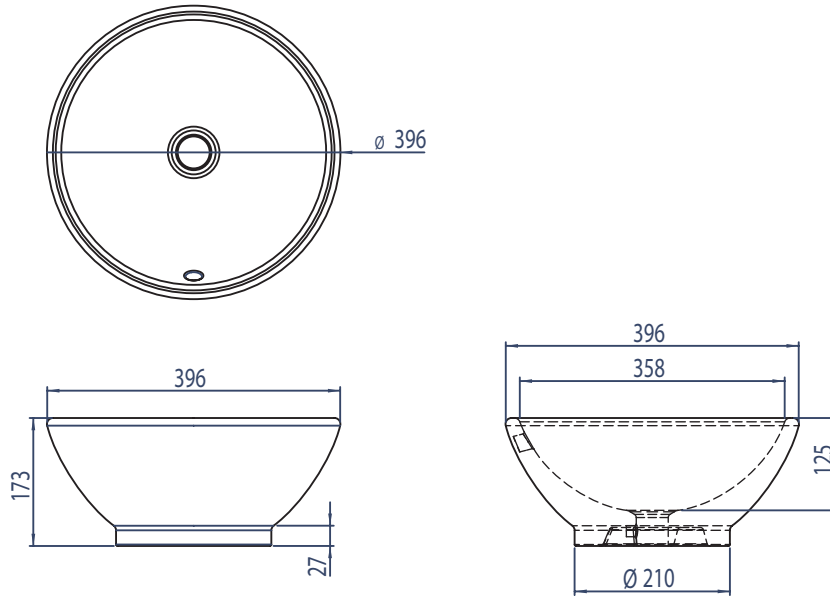


Technical Data Sheet

Vessel Ceramic Basin

What's in the box: 1x WMB13003

ROPER RHODES®



Diagrams not to scale
All dimensions in mm
Tolerance of +/-5mm

Materials

Basin: Ceramic

*Dimensions are subject to change, customers are advised to measure actual product before commencing installation.

FAQs

Q: What units is this compatible with?

A: Widcombe 1000mm Vessel Basin Unit

Q: Has the basin got an overflow?

A: Yes, the basin has an intergrated overflow.

Q: What is the overall depth of the basin?

A: 125mm

Q: What are the taphole/ basin waste sizes?

A: All sizes are to British Standard - (BS EN 31)

- Diameter of the central tap hole = 35mm : +2/ -1mm
- Bore of the waste outlet hole = 46mm : +2 / - 3mm
- Diameter of the base for the seal between the waste outlet hole and the waste fitting = ≥ 60 mm