

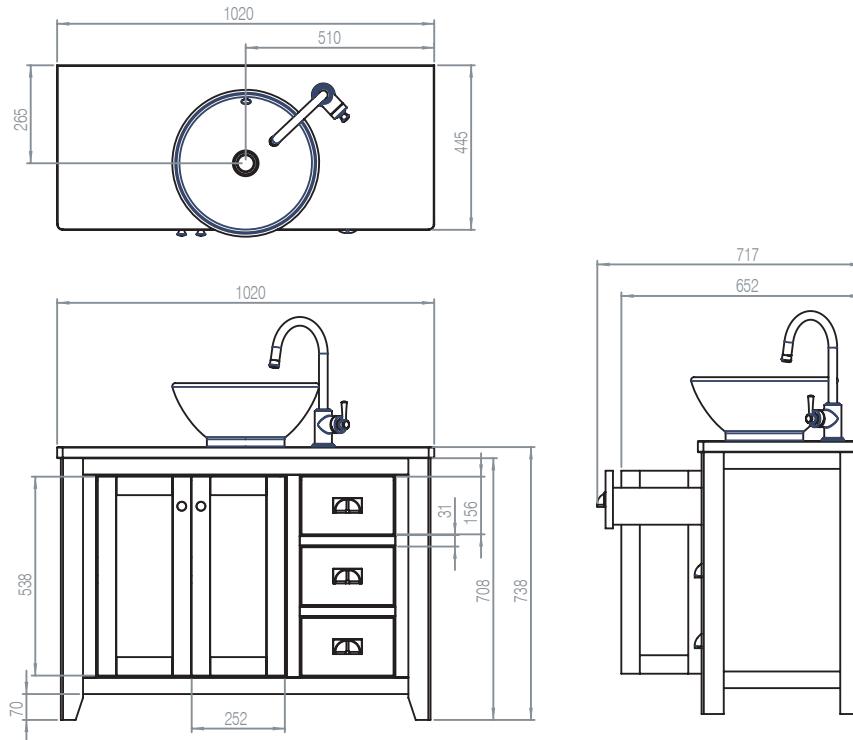
Technical Data Sheet

ROPER RHODES®

Widcombe 1000 Floor Mounted Unit

What's in the box: 1x WMB13044, WMB13054 or WMB13058 + Handle

*Reference basin TDS for further info



Diagrams not to scale
All dimensions in mm
Tolerance of +/-5mm

Materials

Carcass: Painted MDF & Pine
Fascia Components: Painted MDF

**Dimensions are subject to change, customers are advised to measure actual product before commencing installation.

***Fixing point dimensions are for guidance only/the positions of wall fixing must be checked when product is received.

FAQs

- | | |
|---|---|
| Q: How big is the plumbing void? | A: 60mm. |
| Q: Is the handle fitted? | A: No, but handle holes are pre-drilled - 70mm from top edge of door. |
| Q: Are the hinges soft close? | A: The hinges are both soft close and quick release. |
| Q: How deep is the unit with door/ drawers open? | A: Approx 717mm at 90°. |
| Q: Can the doors be adjusted? | A: The door can be adjusted as detailed in the supplied instructions |
| Q: Is the shelf removable? | A: No. |
| Q: What is the shelf capacity? | A: Shelf max depth: 417mm. |
| Q: What is the overall height of unit with worktop and basin? | A: Overall height with basin and worktop is: 910mm |
| Q: What is the interior finish of the unit? | A: The unit interior is the same finish as the exterior. |
| Q: What are the size of drawers? | A: Internal dimensions of drawer is: 333mm x 213mm x 84mm |

NOTE: Colours unique to Laura Ashley - No RAL Code available