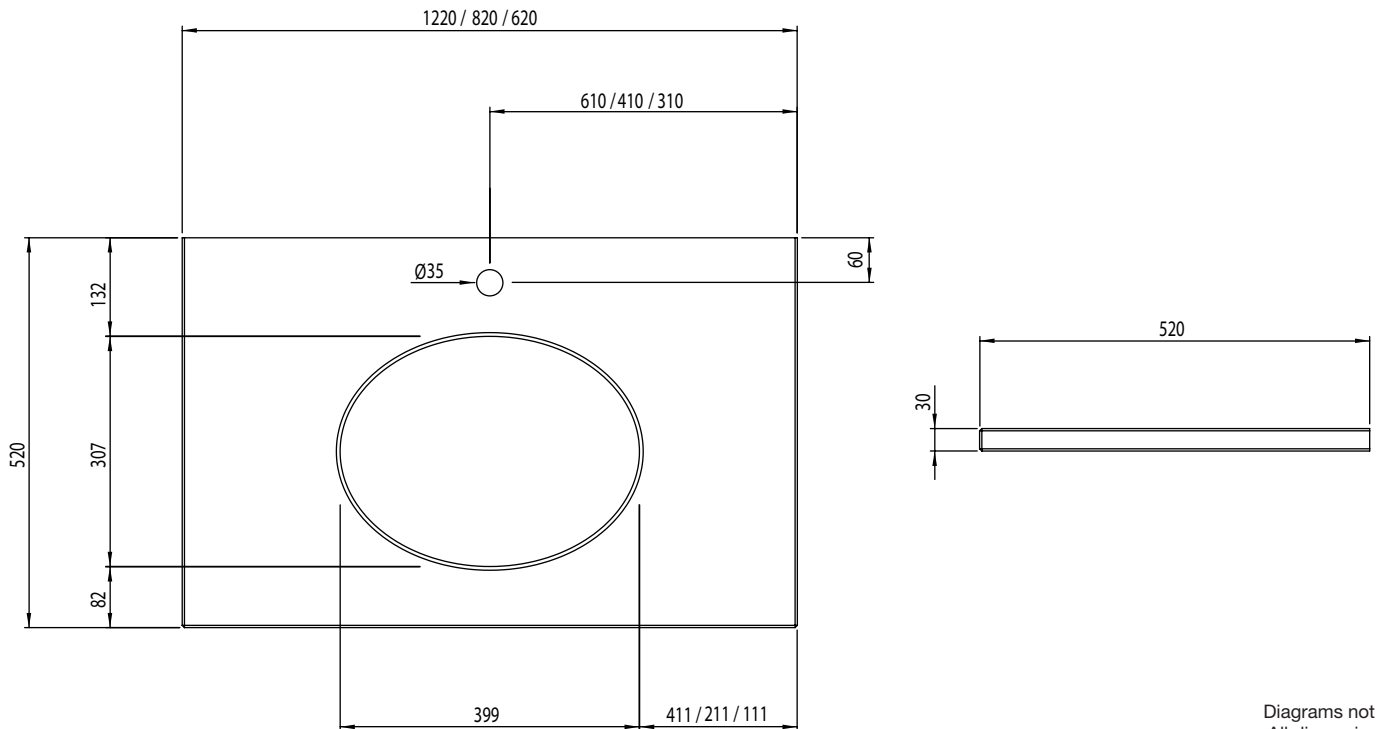


Technical Data Sheet

ROPER RHODES®

Widcombe 1200/800/600mm Flat Fronted 1 Tap-Hole Worktop (Stone)

What's in the box: 1x WMB13113 or WMB13131 or WMB13112



Diagrams not to scale
All dimensions in mm
Tolerance of +/-5mm

*Dimensions are subject to change, customers are advised to measure actual product before commencing installation.

Materials

Worktop: Marble

FAQs

Q: Is the marble worktop sealed?

A: The marble is sealed at the point of manufacture. We do recommend to reseal the marble periodically like other natural stone products.

Q: What cleaning products are suitable for this worktop?

A: Please refer to the instructions provided.

Q: Why is the marble worktop a different colour to the display model and photography?

A: Marble is a natural stone where colour and features vary as a result due to its natural formation. No two pieces are the same.