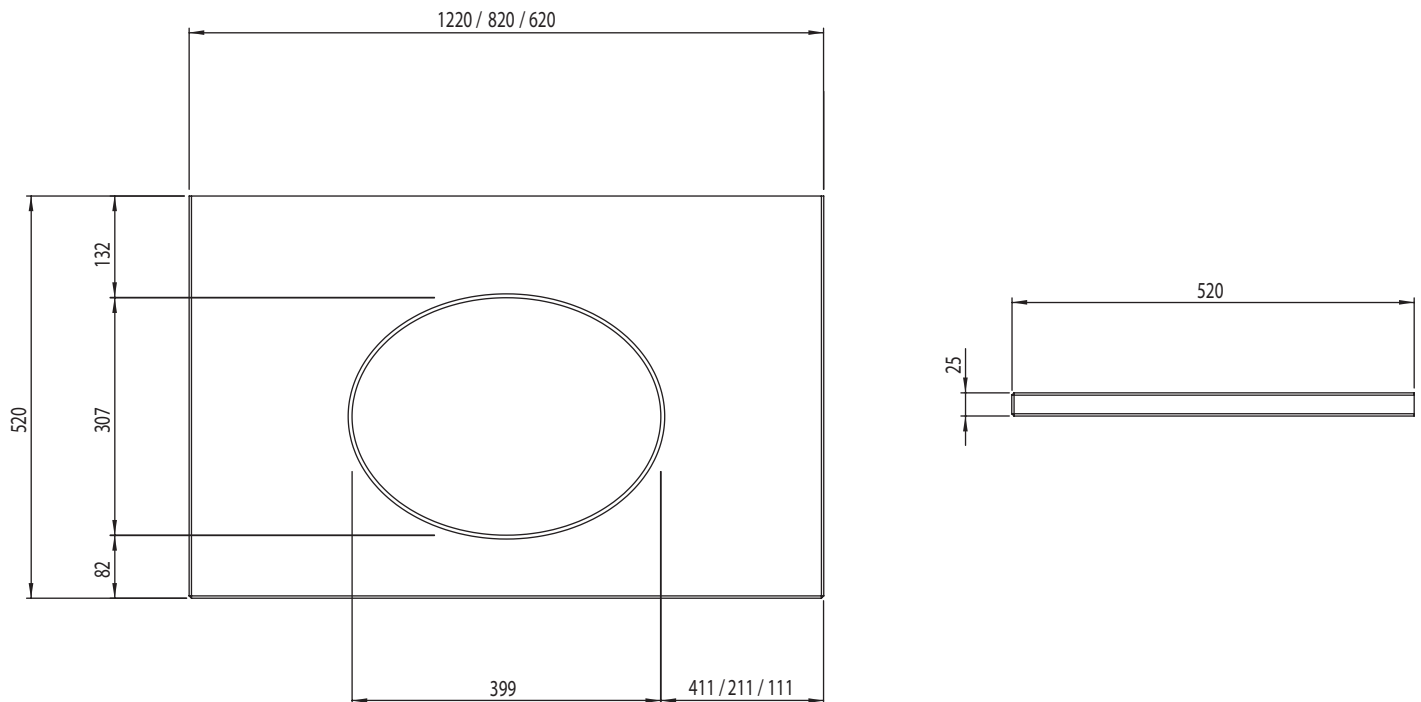


Technical Data Sheet

ROPER RHODES®

Widcombe 1200/800/600mm Flat Fronted Worktop (Strata)

What's in the box: 1x WMB13121 or WMB13130 or WMB13118 or WMB13119



Diagrams not to scale
All dimensions in mm
Tolerance of +/-5mm

*Dimensions are subject to change, customers are advised to measure actual product before commencing installation.

Materials

Worktop: Solid Surface

Has many names including:

- Corian
- LG Hi-macs

A homogenous compound mixture of polyester and aluminium trihydrate (derived from a natural Bauxite ore). Essentially, the same material all the way through so can be cut and sanded back to perfect finishes. Aluminium trihydrate is moulded, vacuum treated and then finished by hand to create a perfectly smooth matt finish which is highly dimensionally accurate.

Material Benefits:

- Point impacts (255g ball dropped from 610mm)
- Stain resistant
- Colourfast
- Temperature resistance

FAQs

Q: What tools are suitable for cutting the worktop?

A: Fine tooth saw, router, circular or jigsaw. Please refer to the instructions provided.

Q: What cleaning products are suitable for this worktop?

A: Please refer to the instructions provided.

Q: Can I repair scratches and chips?

A: For minor repairs, please refer to instructions for materials to repair. For chipped worktops, depending on size, consider repair kits online or at your local DIY store.

NOTE: Be careful when colour matching. Please follow the repair kit's instructions closely.