

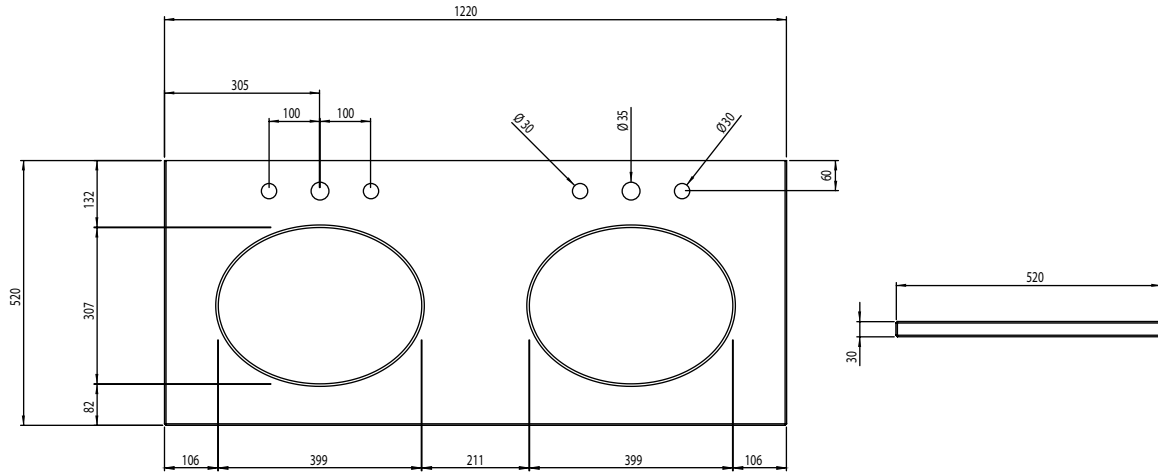
# Technical Data Sheet

# ROPER RHODES®

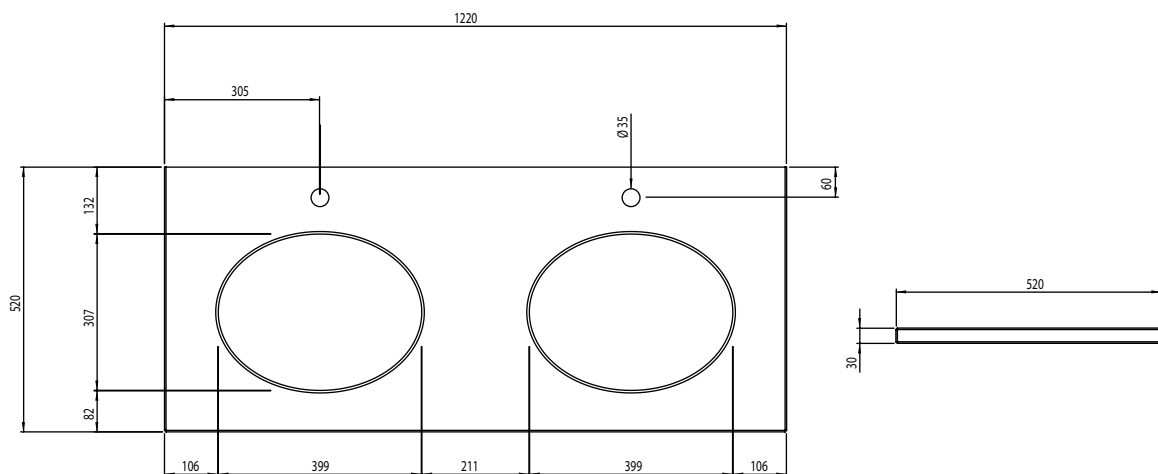
## Widcombe 1200mm Double Basin Worktop (Stone)

What's in the box: 1x WMB13129 or WMB13114

3 Tap-Hole Worktop



1 Tap-Hole Worktop



Diagrams not to scale  
All dimensions in mm  
Tolerance of +/-5mm

\*Dimensions are subject to change, customers are advised to measure actual product before commencing installation.

\*\*Fixing point dimensions are for guidance only/the positions of wall fixing must be checked when product is received.

### Materials

Worktop: Marble

### FAQs

Q: Is the marble worktop sealed?

A: The marble is sealed at the point of manufacture. We do recommend to reseal the marble periodically like other natural stone products.

Q: What cleaning products are suitable for this worktop?

A: Please refer to the instructions provided.

Q: Why is the marble worktop a different colour to the display model and photography?

A: Marble is a natural stone where colour and features vary as a result due to its natural formation. No two pieces are the same.