

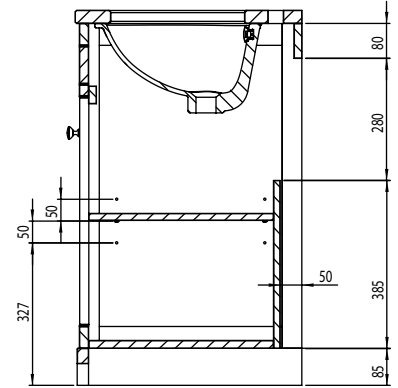
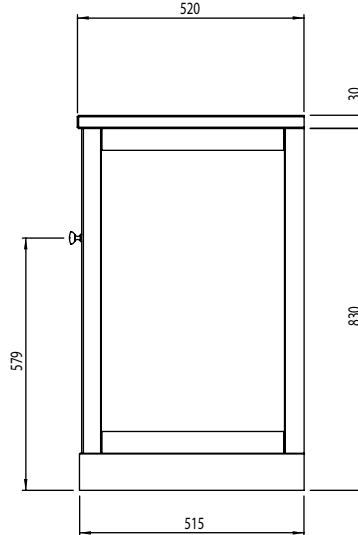
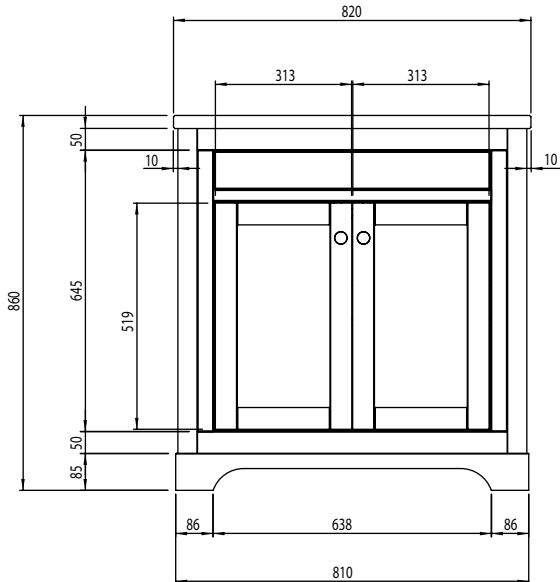
# Technical Data Sheet

# ROPER RHODES®

## Widcombe 800mm Underslung Unit

What's in the box: 1x WMB13133 or WMB13134 or WMB13135 or WMB13136 + Handles

\*Reference Worktop & Basin TDS for further info



Diagrams not to scale  
All dimensions in mm  
Tolerance of +/-5mm

### Materials

Carcass: Painted MDF & Pine  
Fascia Components: Painted MDF

\*\*Dimensions are subject to change, customers are advised to measure actual product before commencing installation.  
\*\*\*Fixing point dimensions are for guidance only/the positions of wall fixing must be checked when product is received.

### FAQs

- |   |  |
|---|--|
| Q: How big is the plumbing void?            | A: 50mm.   |
| Q: Is the handle fitted?                    | A: No, handle needs fixing. Holes are pre-drilled.                   |
| Q: Are the hinges soft close?               | A: The hinges are both soft close and quick release.                 |
| Q: How deep is the unit with door open?     | A: Approx 820mm at 90°.  |
| Q: Can the doors be adjusted?               | A: The door can be adjusted as detailed in the supplied instructions |
| Q: Is the shelf removable?                  | A: Yes, the shelf can be removed.                                    |
| Q: What is the shelf capacity?              | A: Shelf max depth: 424mm.   |
| Q: How many shelves are there?              | A: There is one shelf and a base within the unit.                    |
| Q: Is the shelf adjustable?                 | A: Yes, the shelf is adjustable.                                     |
| Q: What is the interior finish of the unit? | A: The unit interior is the same finish as the exterior.             |

NOTE: Colours unique to Laura Ashley - No RAL Code available