

Technical Data Sheet

ROPER RHODES®

Wessex 3 Tap Hole Basin Mixer - T667902

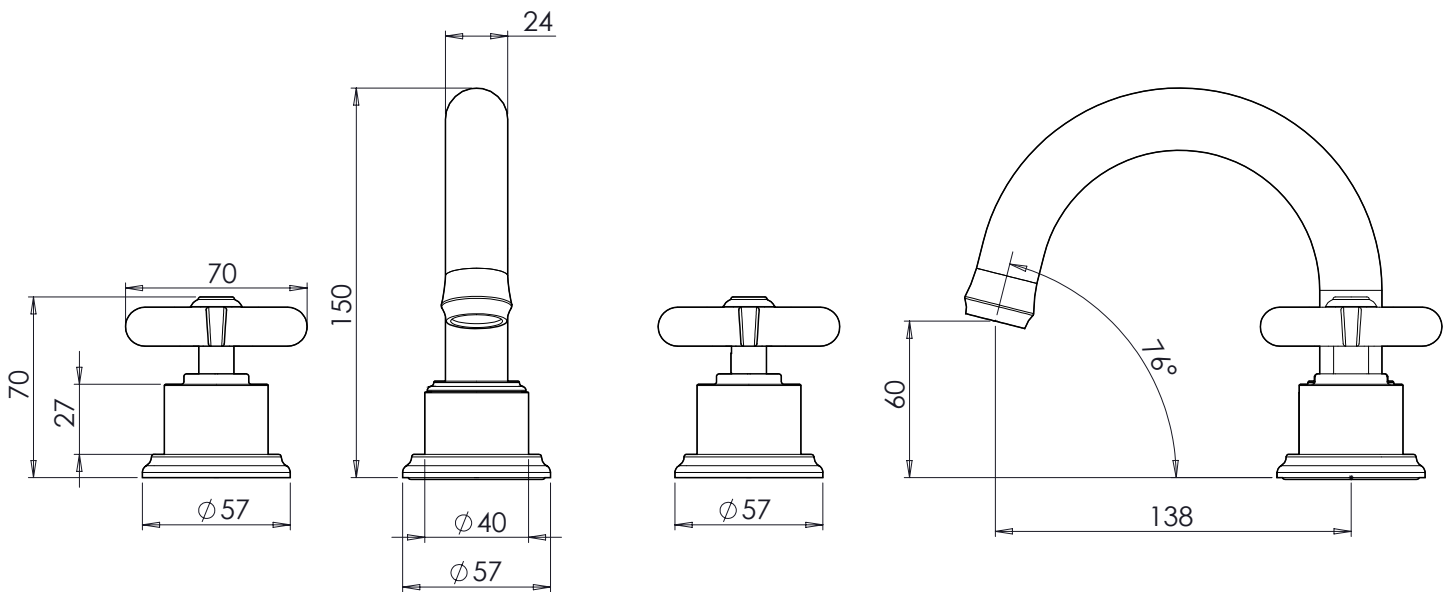
No.	Description	Code	Fixings Included
1	Wessex 3 Tap Hole Basin Mixer	T667902	YES



Min Pressure:	0.1bar
0.1bar	7 litres / min
0.2bar	10.5 litres / min
0.3bar	12 litres / min
0.4bar	15 litres / min
0.5bar	17 litres / min
1bar	24 litres / min
2bar	34 litres / min

Dimensions:

Diagrams not to scale. All dimensions in mm (tolerance of +/-5mm)



*Dimensions are subject to change, customers are advised to measure actual product before commencing installation.

FAQs

What is the size of the threaded valve connections? All of the valve inlets and outlets are 1/2" BSP

Does the tap come fitted with an aerator? Yes, the aerator comes pre-installed but can be replaced.

Does the spout swivel? Yes, the spout should be installed so the spout can rotate equal distances in either direction.