

TECHNICAL DATA SHEET

Zest 435 SCT Slim Depth Basin - Z2SCBAS

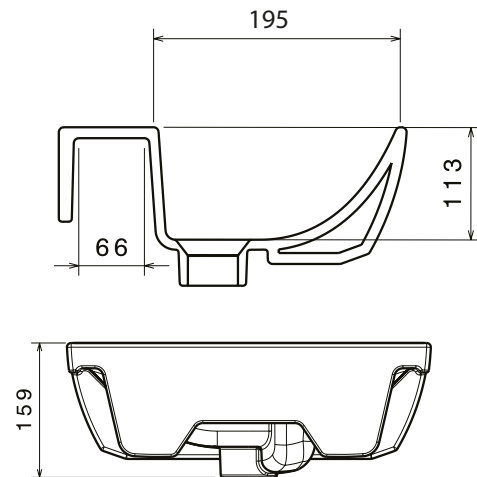
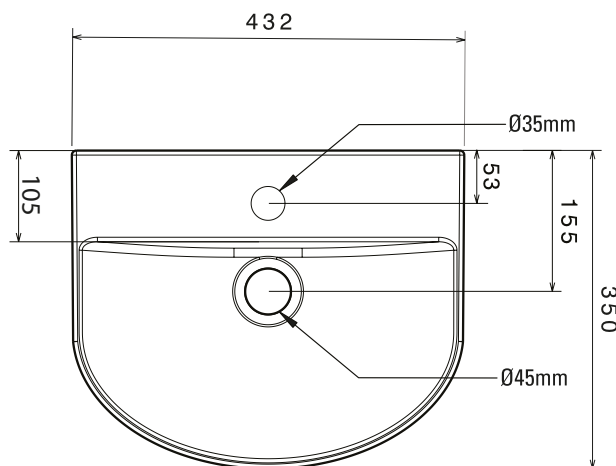
ROPER RHODES®

NO.	Description	Product Code	Template included	Gross Weight
1	435mm Semi Recess Basin - Slim Depth	Z2SCBAS	YES	9KG



DIMENSIONS

DIAGRAMS NOT TO SCALE | ALL DIMENSIONS IN MM TOLERANCE OF ± 5MM
ALL PRODUCTS CONFORM TO BRITISH STANDARDS



*Dimensions are subject to change, customers are advised to measure actual product before commencing installation.

**Fixing point dimensions are for guidance only. The positions of fixings must be checked when product is received.

FAQs

Q - Is a fitting template supplied?

A - Yes : Questions on cutting dimensions can be found on the template.

Q - How is the basin fixed to the furniture?

A - Fix to workspace with silicone as per instructions supplied.

Key Dimensions Descriptions	Key Dimensions (mm)
Internal Bowl Depth	113mm
Internal Bowl Front to Back	195mm
Internal Bowl Left to Right	300mm
Tap Ledge	105mm
Taphole Centre to Waste Centre	102mm
Taphole Centre to Back of Basin	53mm
Waste Centre to Back of Basin	155mm
Height of Basin	159mm