

TECHNICAL DATA SHEET

Zest 500 SCT STD Depth Basin - Z3SCBAS

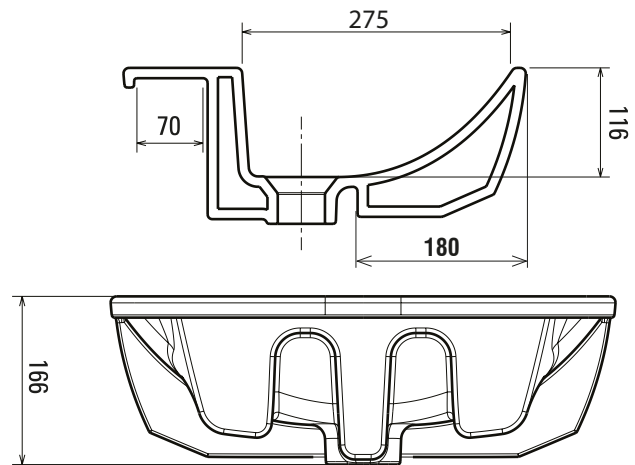
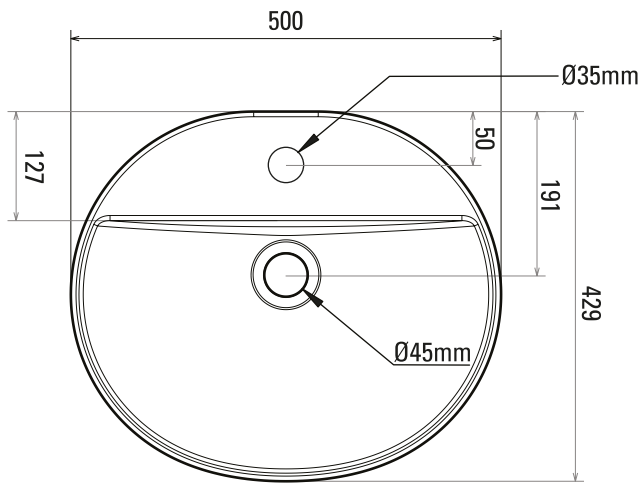
ROPER RHODES®

NO.	Description	Product Code	Template included	Gross Weight
1	500mm Semi Recess Basin - Standard Depth	Z3SCBAS	YES	9KG



DIMENSIONS

DIAGRAMS NOT TO SCALE | ALL DIMENSIONS IN MM TOLERANCE OF ± 5MM
ALL PRODUCTS CONFORM TO BRITISH STANDARDS



*Dimensions are subject to change, customers are advised to measure actual product before commencing installation.

**Fixing point dimensions are for guidance only. The positions of fixings must be checked when product is received.

FAQs

Q - Is a fitting template supplied?

A - Yes : Questions on cutting dimensions can be found on the template.

Q - How is the basin fixed to the furniture?

A - Fix to workspace with silicone as per instructions supplied.

Key Dimensions Descriptions	Key Dimensions (mm)
Internal Bowl Depth	116mm
Internal Bowl Front to Back	275mm
Internal Bowl Left to Right	320mm
Tap Ledge	127mm
Taphole Centre to Waste Centre	141mm
Taphole Centre to Back of Basin	50mm
Waste Centre to Back of Basin	191mm
Height of Basin	166mm
Basin Overhang	180mm