

# TECHNICAL DATA SHEET

Zest 500mm Wall Hung Basin - Z50SB

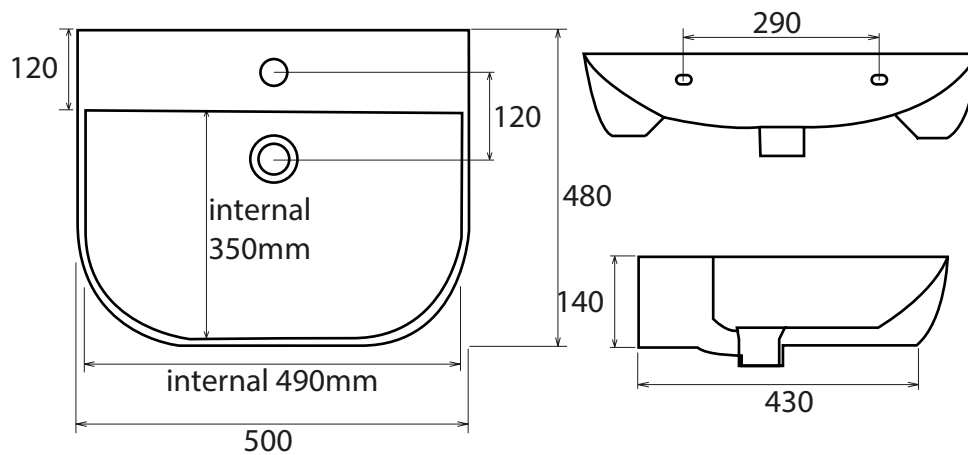
ROPER RHODES®

NO.	Description	Product Code	Fixings included	Gross Weight
1	500mm Wall Hung Basin	Z50SB	YES	15KG



## DIMENSIONS

DIAGRAMS NOT TO SCALE | ALL DIMENSIONS IN MM TOLERANCE OF  $\pm 5$ MM  
ALL PRODUCTS CONFORM TO BRITISH STANDARDS



\*Dimensions are subject to change, customers are advised to measure actual product before commencing installation.

\*\*Fixing point dimensions are for guidance only. The positions of fixings must be checked when product is received.

## FAQs

Q - What is the maximum water depth of the basin?

A - 73mm up to the overflow.

Q - Can this basin be wall hung?

A - Yes. Fischer bolts are supplied for use in solid walls.

Q - How thick is the basin edge/rim?

A - 5mm

Q - Does the basin have an integral overflow?

A - Yes

Key Dimensions Descriptions	Key Dimensions (mm)
Internal Bowl Front to Back	350mm
Internal Bowl Left to Right	490mm
Tap Ledge	120mm
Taphole Centre to Waste Centre	120mm
Width of Rear Basin	500mm
Basin Depth	480mm