

TECHNICAL DATA SHEET

Zest 450 Wall Hung Corner Basin - Z45CB

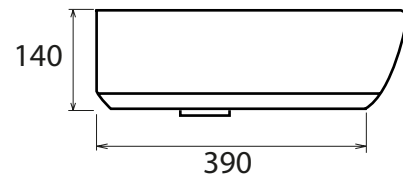
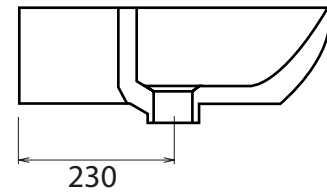
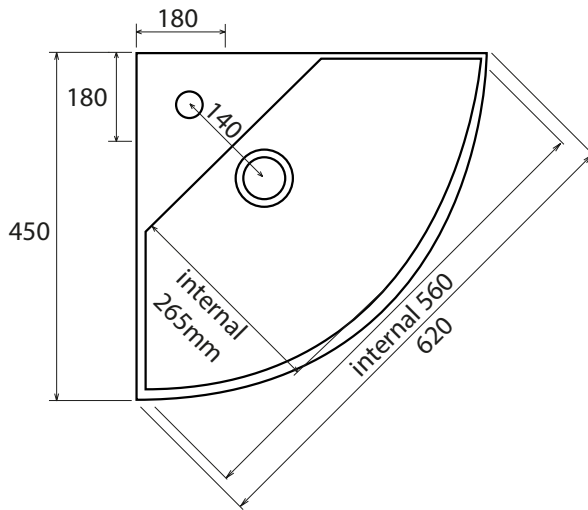
ROPER RHODES®

NO.	Description	Product Code	Fixings included	Gross Weight
1	450 Wall Hung Corner Basin	Z45CB	YES	12KG



DIMENSIONS

DIAGRAMS NOT TO SCALE | ALL DIMENSIONS IN MM TOLERANCE OF ± 5MM
ALL PRODUCTS CONFORM TO BRITISH STANDARDS



*Dimensions are subject to change, customers are advised to measure actual product before commencing installation.

**Fixing point dimensions are for guidance only. The positions of fixings must be checked when product is received.

FAQs

Q - What is the maximum water depth of this basin?
A - 70mm

Q - Are wall fixing brackets supplied?
A - Yes

Key Dimensions Descriptions	Key Dimensions (mm)
Internal Bowl Front to Back	265mm
Internal Bowl Left to Right	560mm
Tap Ledge	165mm
Taphole Centre to Waste Centre	140mm
Taphole Centre to Wall	55mm
Height of Rear Basin	140mm