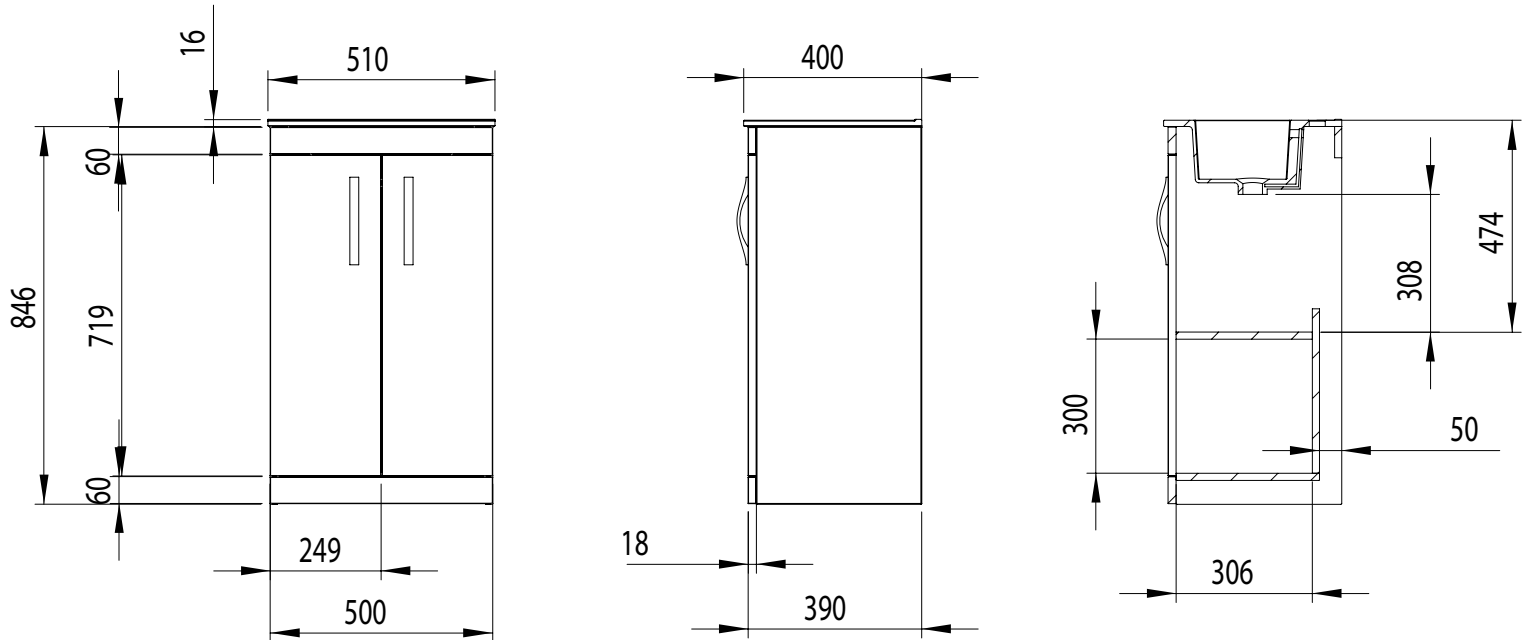


Technical Data Sheet

500mm Alpha/ Astute Floor Mounted Unit

Whats in the box: INST045251/ INST045252 or TR13053/ TR13054 + Fixings



Diagrams not to scale
All dimensions in mm
tolerance of +/-5mm

Materials

Carcass: 16mm Painted MFC or 18mm MFC for wood finish.

Fascia Components: 16mm Painted MFC or 18mm MFC for wood finish.

**Dimensions are subject to change, customers are advised to measure actual product before commencing installation.

***Fixing point dimensions are for guidance only/the positions of wall fixing must be checked when product is received.

FAQs

Q: How big is the plumbing void at the back of the furniture?

A: 50mm

Q: Are the handles fitted?

A: No, they are fixed to back of door and need re-fixing to front.

Q: How deep/wide is the unit with doors open?

A: Approx depth with 90 degree hinge 700mm. Width at 180 degrees 1300mm

Q: Is the shelf removable?

A: No, the shelf is fixed

Q: What is the shelf capacity?

A: Shelf max depth: 306mm

Q: How many shelves are there?

A: There are two shelves within the unit.

Q: Are the shelves adjustable? What Height?

A: No, you can't reposition the shelves.

Q: What is the interior finish of the unit?

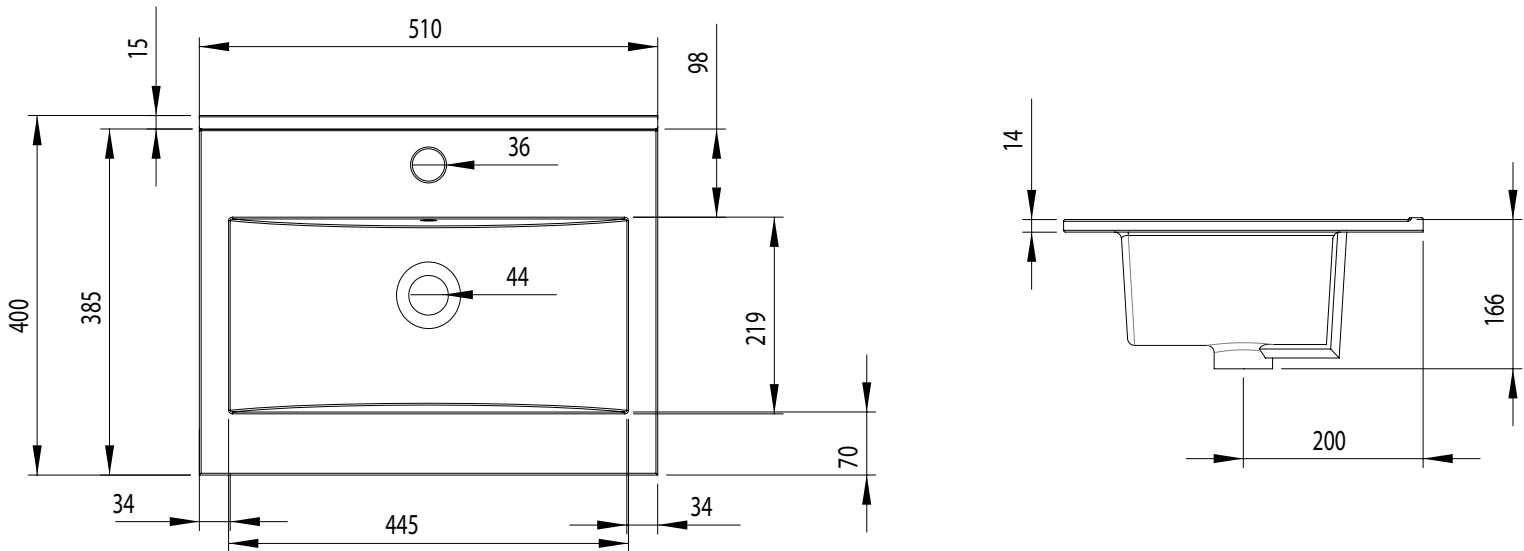
A: The unit interior is the same finish as the exterior.

NOTE: No RAL Code available

Technical Data Sheet

500 Alpha/ Astute Ceramic Basin

Whats in the box: INST045057 or TR13050



Diagrams not to scale
All dimensions in mm
tolerance of +/-5mm

Materials

Basin: Ceramic

*Dimensions are subject to change, customers are advised to measure actual product before commencing installation.

FAQs

- | | |
|---|---------------------------------|
| Q: What is the maximum water depth of the basin? | A: 93mm up to the overflow. |
| Q: What is the internal depth? | A: The internal depth is 132mm. |
| Q: Whats is the depth of the Tapledge? | A: The Tapledge is 115mm deep. |
| Q: What is the distance from the Taphole centre to Basin Waste? | A: 130mm |
| Q: Can the basin be wall mounted? | A: No. |

NOTE: No RAL Code available

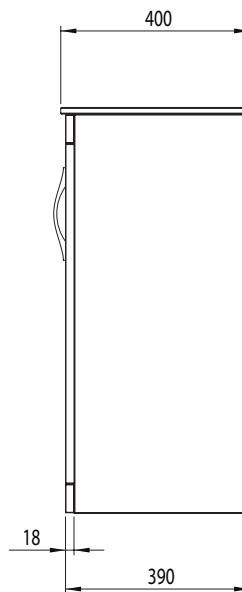
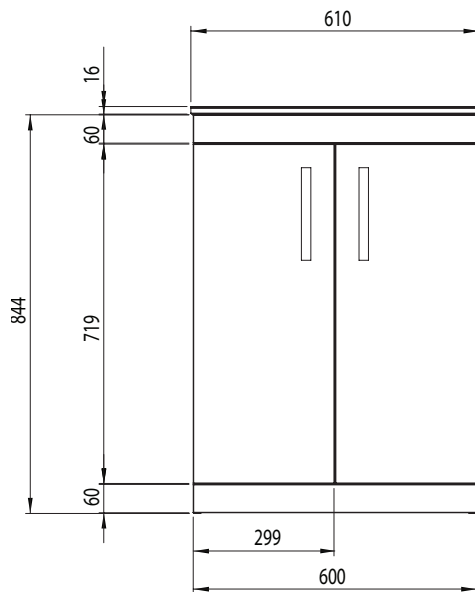
Technical Data Sheet

ASTUTE 600mm Floor Mounted Unit

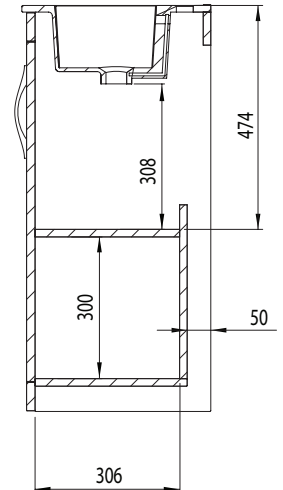
Whats in the box: 1x TR13021 + Wall Fixings

trade

bathroom products



*Reference basin TDS for further info



Diagrams not to scale
All dimensions in mm
tolerance of +/-5mm

Materials

Carcass: 16mm MFC

Fascia Components: 18mm MDF

**Dimensions are subject to change, customers are advised to measure actual product before commencing installation.

***Fixing point dimensions are for guidance only/the positions of wall fixing must be checked when product is received.

FAQs

Q: How big is the plumbing void at the back of the furniture?

A: 50mm

Q: Are the handles fitted?

A: No, handles need fixing

Q: How deep/wide is the unit with doors open?

A: Approx depth with 90 degree hinge 700mm. Width at 180 degrees 1300mm

Q: Is the shelf removable?

A: No, the shelf is fixed

Q: What is the shelf capacity?

A: Shelf max depth: 306mm

Q: How many shelves are there?

A: There are two shelves within the unit.

Q: Are the shelves adjustable? What Height?

A: No, you can't reposition the shelves.

Q: What is the interior finish of the unit?

A: The unit interior is the same finish as the exterior.

NOTE: Colours unique to Roper Rhodes - No RAL Code available

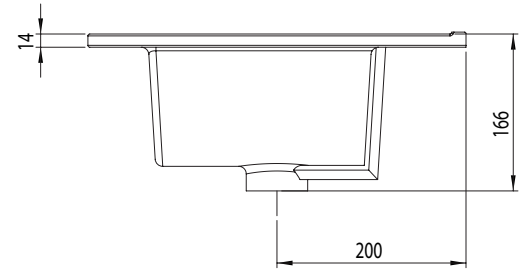
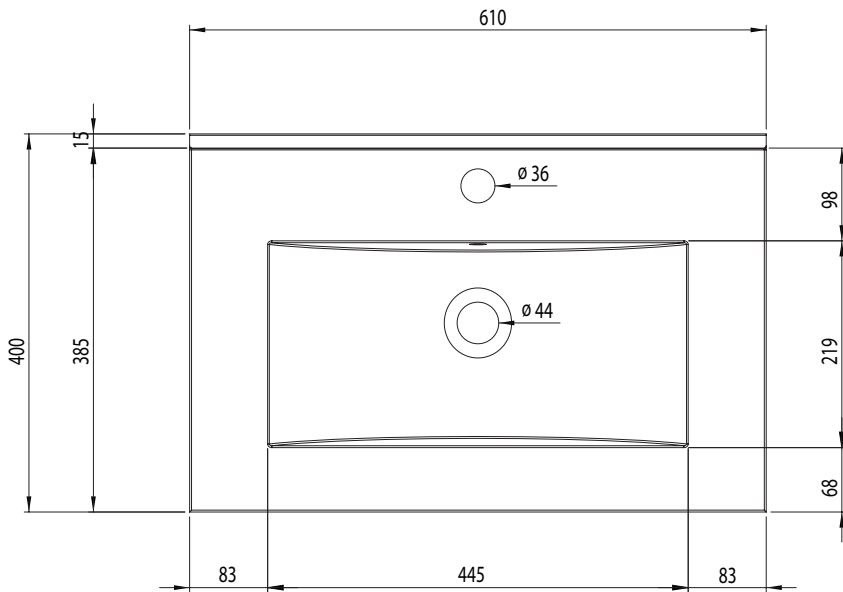
Technical Data Sheet

ASTUTE 600mm Ceramic Basin

Whats in the box: 1x TR13020

trade

bathroom products



Diagrams not to scale
All dimensions in mm
tolerance of +/-5mm

Materials

Basin: Ceramic

*Dimensions are subject to change, customers are advised to measure actual product before commencing installation.

FAQs

Q: What is the maximum water depth of the basin?

A: 93mm up to the overflow.

Q: What is the internal depth?

A: The internal depth is 132mm.

Q: Whats is the depth of the Tapledge?

A: The Tapledge is 115mm deep.

Q: What is the distance from the Taphole centre to Basin Waste?

A: 130mm