

TECHNICAL DATA SHEET

PP Slim Wrapover D-Shaped Seat

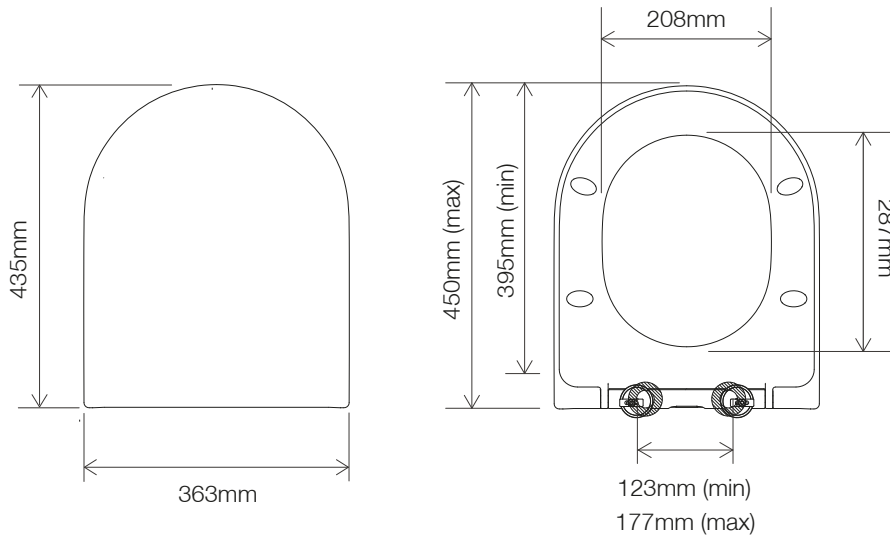
DC4043

No.	Description	Product Code	Fixings included	Gross Weight
1	PP Slim Wrapover Seat	DC4043	YES	2.5KG



DIMENSIONS

DIAGRAMS NOT TO SCALE | ALL DIMENSIONS IN MM | TOLERANCE OF ± 5 MM
ALL PRODUCTS CONFORM TO BRITISH STANDARDS



*Dimensions are subject to change, customers are advised to measure actual product before commencing installation.
**Fixing point dimensions are for guidance only. The positions of fixings must be checked when product is received.

FAQs

Q - What is the maximum test load of the seat?

A - 150kg

Q - What are the fixings made from?

A - Stainless Steel Cover Plates, Screws & Anchor Plates, Rubber Washers, Nylon Fixing Plugs.

Q - What finish are the hinge covers supplied with the seat?

A - Chrome

Q - Can the seat hinges be upgraded to a different finish?

A - No

Q - What colour finish is the seat?

A - Alpine White

Key Dimensions Descriptions	Key Dimensions (mm)
Seat/Lid Front to Back	435mm
Seat/Lid Left to Right	363mm
Ring Hole Front to Back	287mm
Ring Hole Left to Right	208mm
Seat Overall Thickness	39mm
Width of Back of Seat	363mm